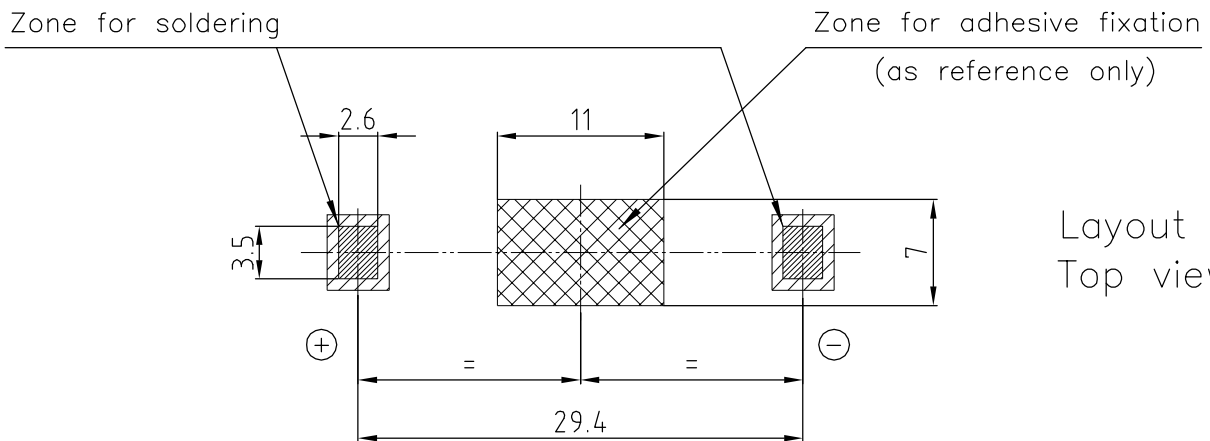
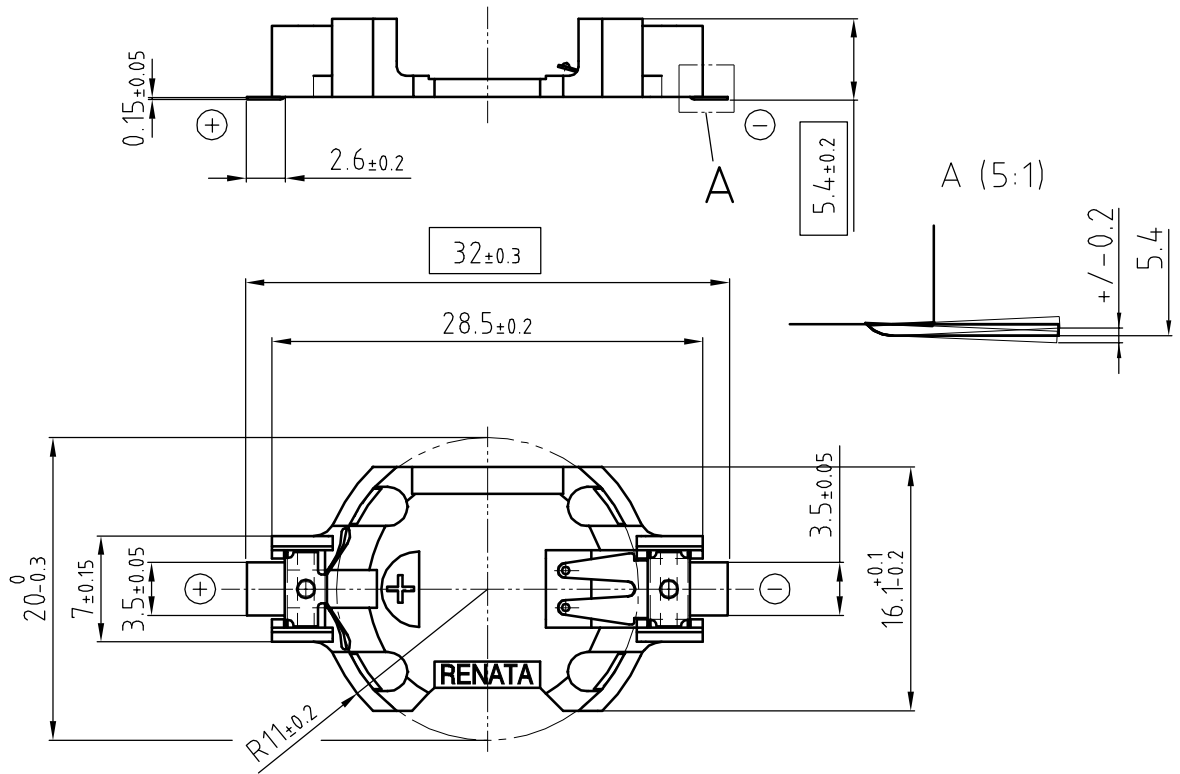


Art.-Number: 701113



All dimensions in mm

Holder material : heat resistant, glass-fiber reinforced LCP

Battery contacts : spring stainless steel 301 nickel plated throughout

Solder contacts : spring stainless steel 301 solder area tin-plated throughout, min. thickness 5um

All framed values will be used for dimension checking !

The Products of Renata SA are neither designed nor authorized for use in certain areas of application of environment.

For further details we refer to our webpage [www.renata.com/downloads/restriction\\_of\\_use](http://www.renata.com/downloads/restriction_of_use)

Rev. ①	25.09.07	MCi	Rev. ④	29.08.19	PWU		Customer's Approval		
Rev. ②	24.10.07	SRI	Rev. ○				Date		
Rev. ③	15.09.10	Wu Ping	Rev. ○				Signature		
Title:						Scale 2:1	Drawn	25.01.05	SRI
SM2X2016-LF							Checked		
							Approved		

**renata**  
batteries

CH-4452 Itingen  
Switzerland

3.8757.4-4

Samples can deviate in the execution from the serie.

- Dimensions and tolerances can be specified only after the testing of the devices for the mass production definitely